

with its eye-catching "floating surface" design, is an elegant new approach for providing power and data connectivity in meeting tables. Choose in classic brushed stainless steel with black sockets or in matt white with grey sockets for a more contemporary look.



USPs

- Sleek spill proof profile
- Australian and International AC sockets
- TUF USB A+C charger option
- Data and AV compatible
- 50mm mounting depth



Common Modular Components*

Installation

272mm x 132mm cut-out (corners of cut-outs must be square. Suitable for table tops 10mm-30mm thick, and secured by the supplied 4x screw clamps.

Colour

Matt White (9003) top plate and grey socket fascias, or
Brushed stainless steel top plate and black socket fascias

Certifications

AC Power sockets are certified to the appropriate national/international standard eg: BS1363/5733, IEC60884-1, CCC, AS/NZS3112
OE TUF5A: Certified to IEC60950-1/UL60950-1

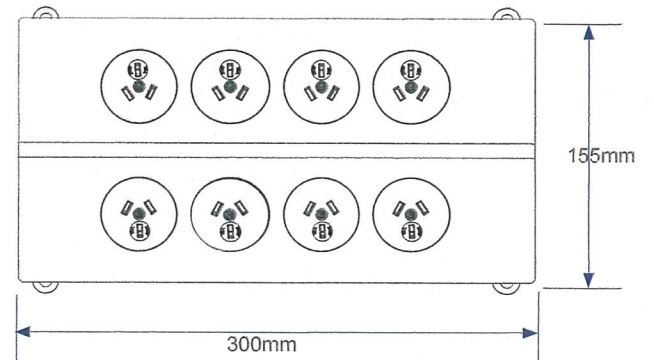
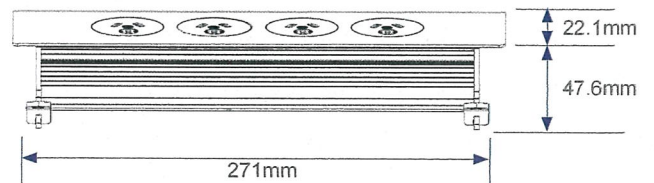
Construction

Socket frame: Brushed stainless steel or powder coated mild steel.

Body: Aluminium extrusion:

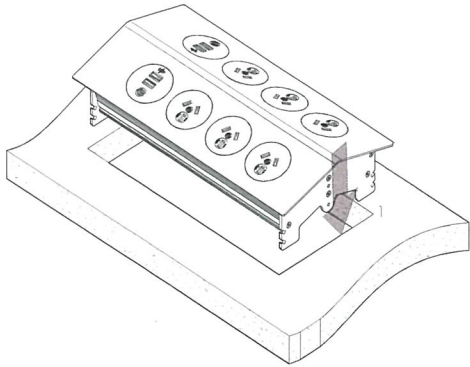
End caps: 3mm powder coated mild steel.

Dimensions



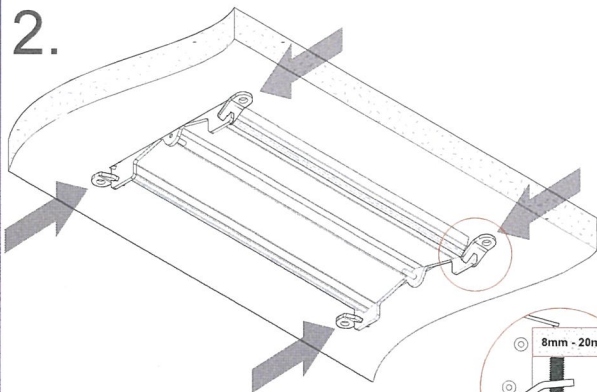
Fitting instructions

1.

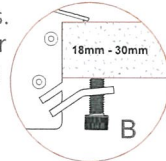
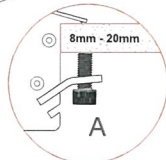


Place into the cutout ensuring that any cables are not trapped in the process.

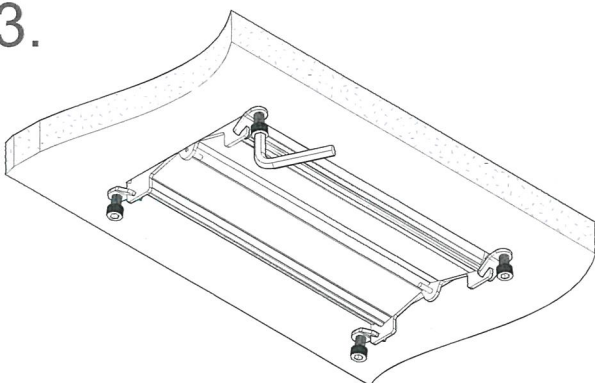
2.



Insert the fixing mounts into the slots on the unit. There are two slots to accommodate varying desk thicknesses. The upper fixing feature (A) is suitable for surfaces 8 - 20mm thick, and lower fixing feature (B) is suitable for surfaces 18-30mm thick.

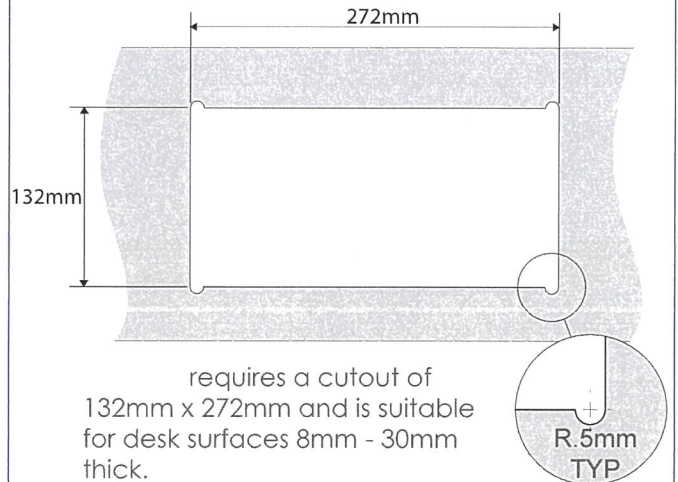


3.



Screw the provided M8 x 20mm cap head fixing bolts through the fixing mounts until the unit is secure. Ensure that your cables are suitably managed

cut-out dimensions



Do not overtighten as table-top and/or unit may become damaged